

# CRT81

**Spare parts**

**Ersatzteile**

**Pièces détachées**

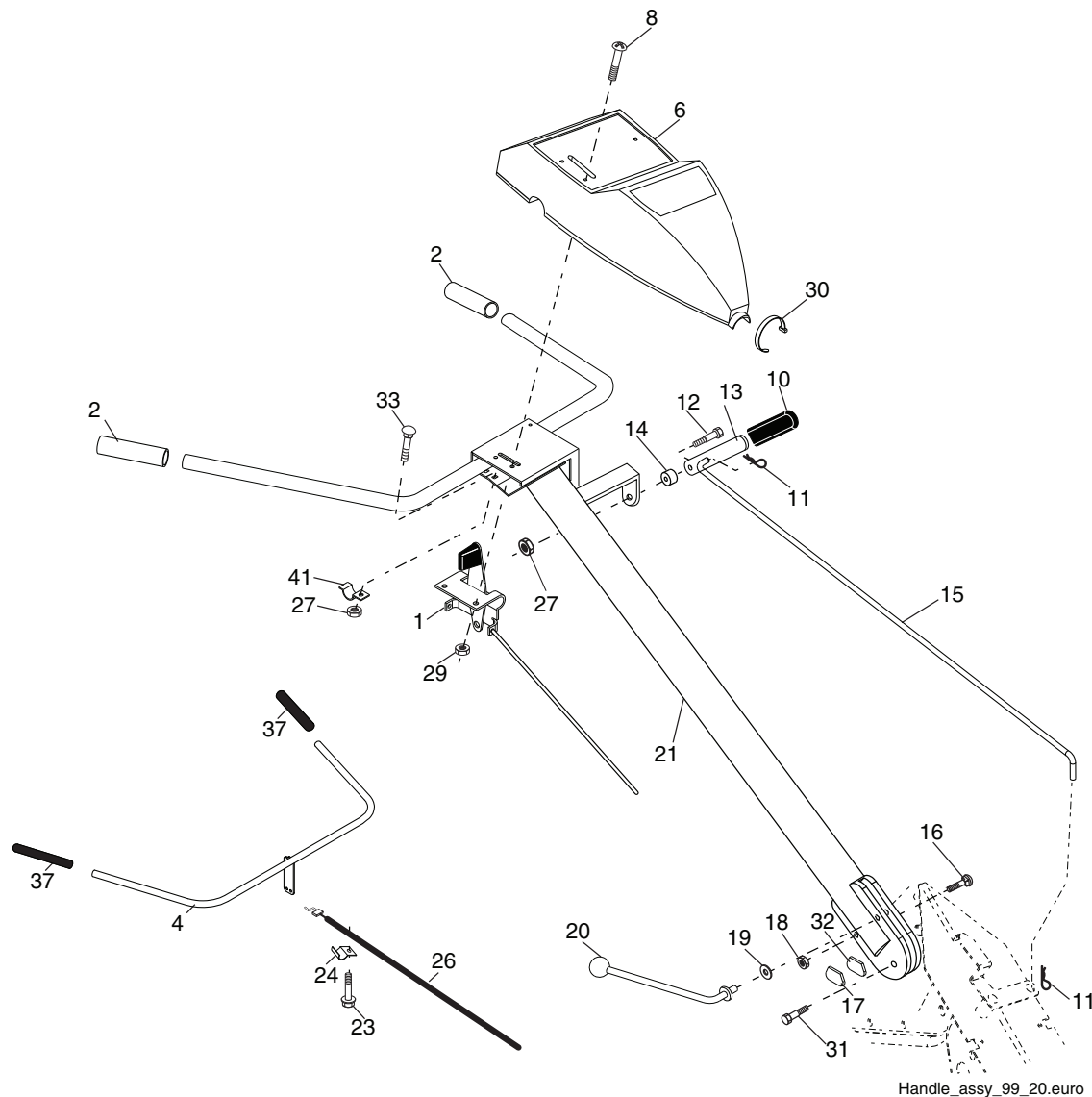
**Reserve onderdelen**

**Repuestos**

**Reservdelar**

# REPAIR PARTS

TILLER - - MODEL NUMBER CRT81 (96091000302), PRODUCT NO. 960 91 00-03  
HANDLE ASSEMBLY



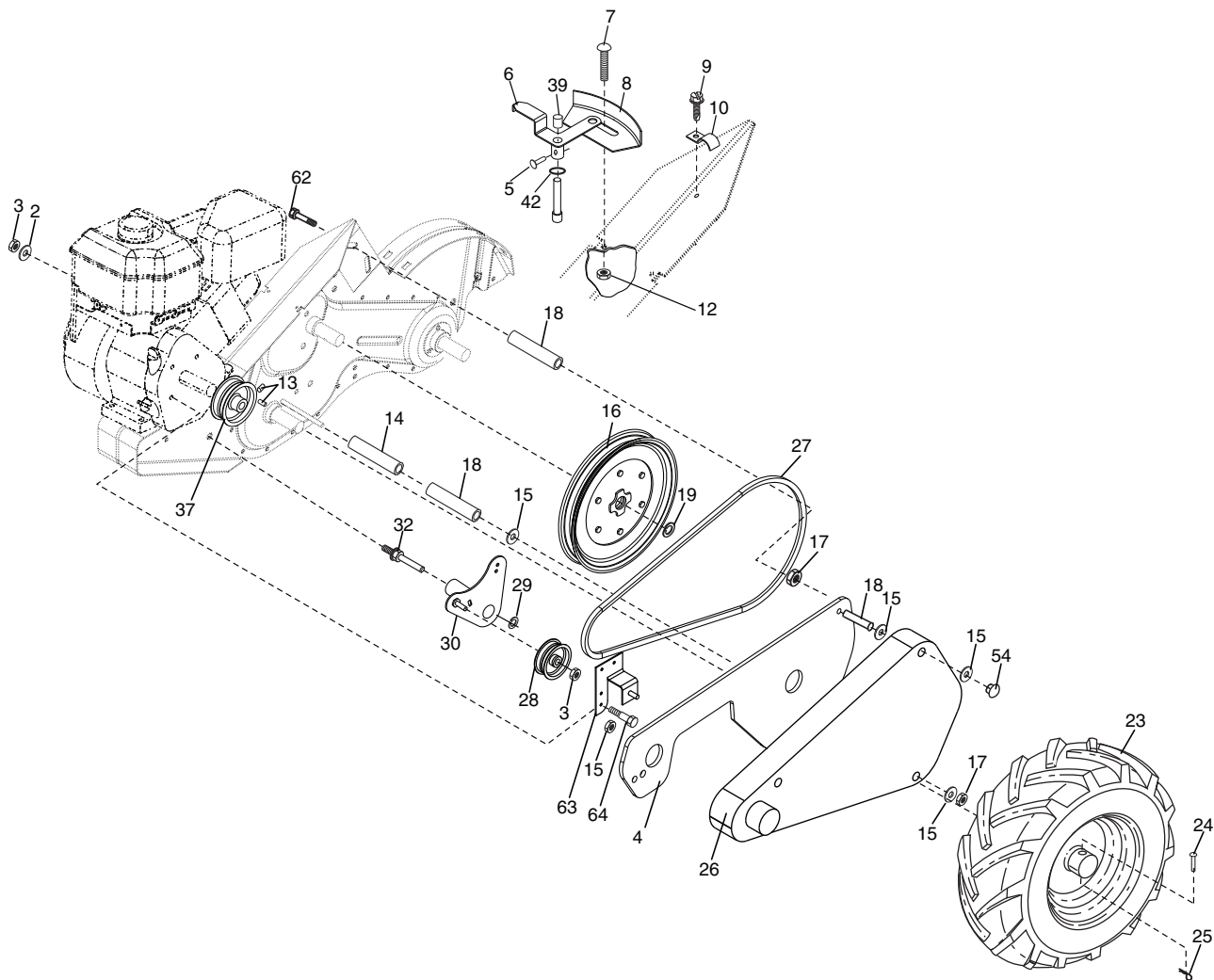
Handle\_assy\_99\_20.euro

KEY NO.	PART NO.	DESCRIPTION	KEY NO.	PART NO.	DESCRIPTION
1	532 18 06-38	Control, Throttle	21	532 18 11-27	Handle
2	532 00 92-66	Grip, Handle	23	532 08 67-77	Screw, Hex Washer SLT #10-24 x .50
4	532 15 92-28	Bar Assembly, Control	24	532 00 94-84	Clip
6	532 18 06-76	Panel, Control	26	532 15 96-07	Cable, Clutch
8	871 19 10-08	Screw, Truss Hd. #10-24 unc x 1/2	27	873 90 04-00	Nut, Hex Flange 1/4-20 unc
10	532 12 47-97	Grip, Handle	29	873 73 10-00	Nut, Keps #10-24 unc
11	532 12 47-88	Clip, Hairpin	30	532 10 41-64	Tie, Cable
12	532 08 13-28	Bolt, Shoulder	31	532 15 06-96	Bolt, Pivot
13	532 18 74-97	Handle, Shift	32	532 13 82-83	Lock, Handle
14	532 10 93-13	Grommet, Rubber	33	872 14 04-04	Bolt, Carriage 1/4-20 unc x 1/2
15	532 13 84-00	Rod, Shift	37	532 10 26-04	Grip, Bar, Control
16	872 11 06-08	Bolt, Carriage 3/8-16 x 1 Gr. 5	41	532 10 27-44	Clamp, Bar, Control
17	532 10 92-29	Lock, Handle			
18	873 68 06-00	Nut, Crownlock 3/8-16 unc			
19	819 13 16-11	Washer 13/32 x 1 x 11 Ga.			
20	532 10 92-28	Lever, Lock, Handle			

**NOTE:** All component dimensions given in U.S. inches.  
1 inch = 25.4 mm

# REPAIR PARTS

TILLER - - MODEL NUMBER CRT81 (96091000302), PRODUCT NO. 960 91 00-03  
MAINFRAME, LEFT SIDE



mainframe\_left\_19.euro

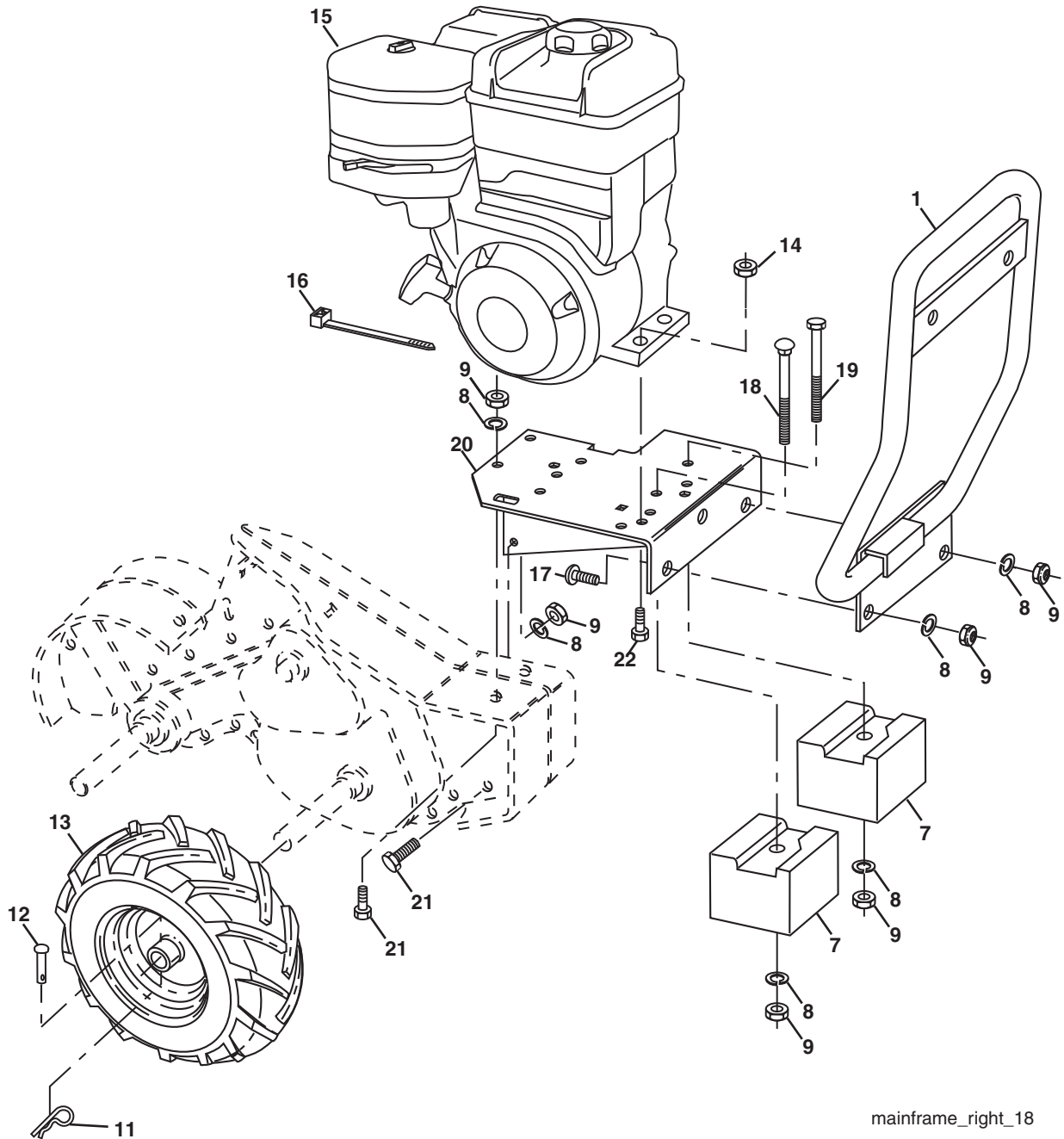
KEY NO.	PART NO.	DESCRIPTION
2	810 04 06-00	Washer, Lock 3/8
3	873 22 06-00	Nut, Hex 3/8-16
4	532 18 00-46	Shield, Inner Belt Guard RT
5	532 16 43-29	Pin Spirol Flared
6	532 11 01-11	Lever, Shift
7	872 11 04-04	Bolt, Carriage 1/4-20 x 1/2 Gr. 5
8	532 00 87-00	Plate, Shift Indicator
9	532 08 67-77	Screw, Hex, Washer Head, Slotted #10-24 x 1/2
10	532 00 94-84	Clip
12	873 51 04-00	Nut, Keps Hex 1/4-20 unc
13	823 23 05-06	Screw, Set, Hex 5/16-18 x 3/8
14	532 15 61-17	Spacer, Split 0.327 x 0.42 x 1.220
15	819 11 11-16	Washer 11/32 x 11/16 x 16 Ga.
16	532 14 51-02	Sheave, Transmission
17	873 22 05-00	Nut Hex 5/16-18
18	532 13 16-91	Spacer Split
19	812 00 00-28	Ring, Retainer
23	532 00 50-15	Tire
	532 00 50-14	Rim
	532 12 47-18	Tire Valve

KEY NO.	PART NO.	DESCRIPTION
24	532 00 49-29	Rivet, Drilled
25	532 12 49-61	Clip, Hairpin
26	532 18 11-64	Guard, Belt
27	532 13 83-99	Belt, V
28	532 10 46-79	Pulley, Idler
29	812 00 00-32	Ring, Klip
30	532 15 92-29	Bracket, Idler
32	532 13 94-01	Shaft, Idler Arm
37	532 00 43-68	Sheave, Engine
39	532 14 00-62	Cap Plunger
42	532 10 61-60	O-Ring
47	532 00 49-14	Key
54	532 10 42-14	Nut 5/16-18
62	874 93 05-72	Bolt Hex 5/16-18 x 4-1/2
63	532 17 57-97	Bracket Asm Guard
64	874 77 05-08	Bolt Fin 5/16-24 unf x 1/2

**NOTE:** All component dimensions given in U.S. inches.  
1 inch = 25.4 mm

# REPAIR PARTS

TILLER - - MODEL NUMBER CRT81 (96091000302), PRODUCT NO. 960 91 00-03  
 MAINFRAME, RIGHT SIDE



mainframe\_right\_18

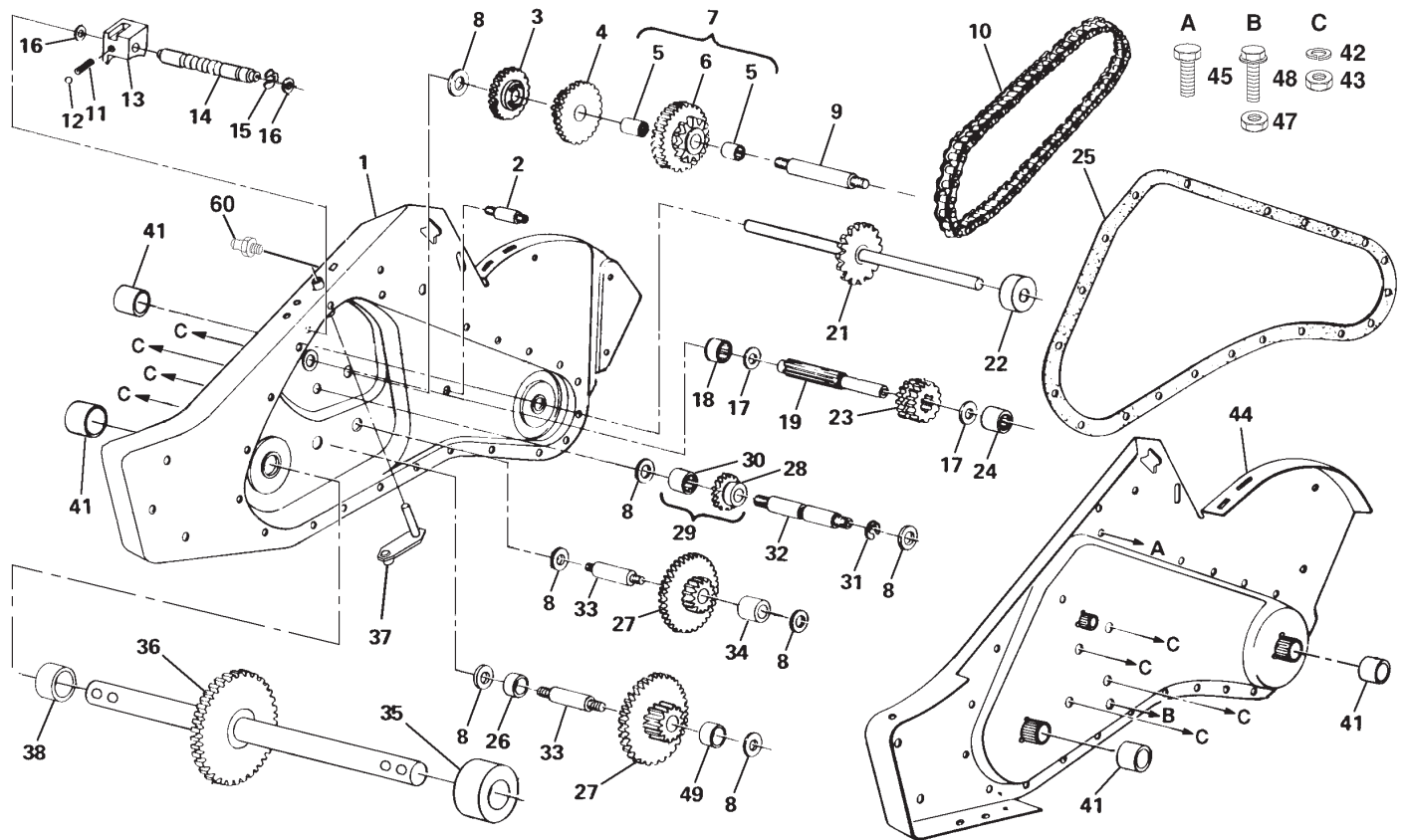
KEY NO.	PART NO.	DESCRIPTION
1	532 17 56-24	Bumper
7	532 18 02-75	Counter Weight, R.H.
8	810 04 06-00	Washer, Lock 3/8
9	873 22 06-00	Nut, Hex 3/8-16
11	532 12 49-61	Clip, Hairpin
12	532 00 49-29	Rivet, Drilled
13	532 00 50-15	Tire
	532 00 50-14	Rim
	532 12 47-18	Tire Valve
14	873 97 05-00	Nut, Lock Hex Flange

KEY NO.	PART NO.	DESCRIPTION
15	-----	Engine, Briggs Model No. 202412 (Order parts from Engine Manufacturer)
16	<b>532 12 47-46</b>	Tie Cable
17	872 14 06-08	Bolt, Hex 5/16-18 x 1-1/2
18	872 47 06-36	Bolt 3/8-16 x 4-1/2
19	874 76 06-72	Bolt Hex 3/8-16 x 4-1/2
20	532 17 98-23	Bracket, Reinforcement
21	874 76 06-16	Bolt, Hex 5/16-18 x 2
22	874 76 05-24	Bolt Hex Hd 5/16-18 x 1-1/2

**NOTE:** All component dimensions given in U.S.inches.  
 1 inch = 25.4 mm

# REPAIR PARTS

## TILLER - - MODEL NUMBER CRT81 (96091000302), PRODUCT NO. 960 91 00-03 TRANSMISSION



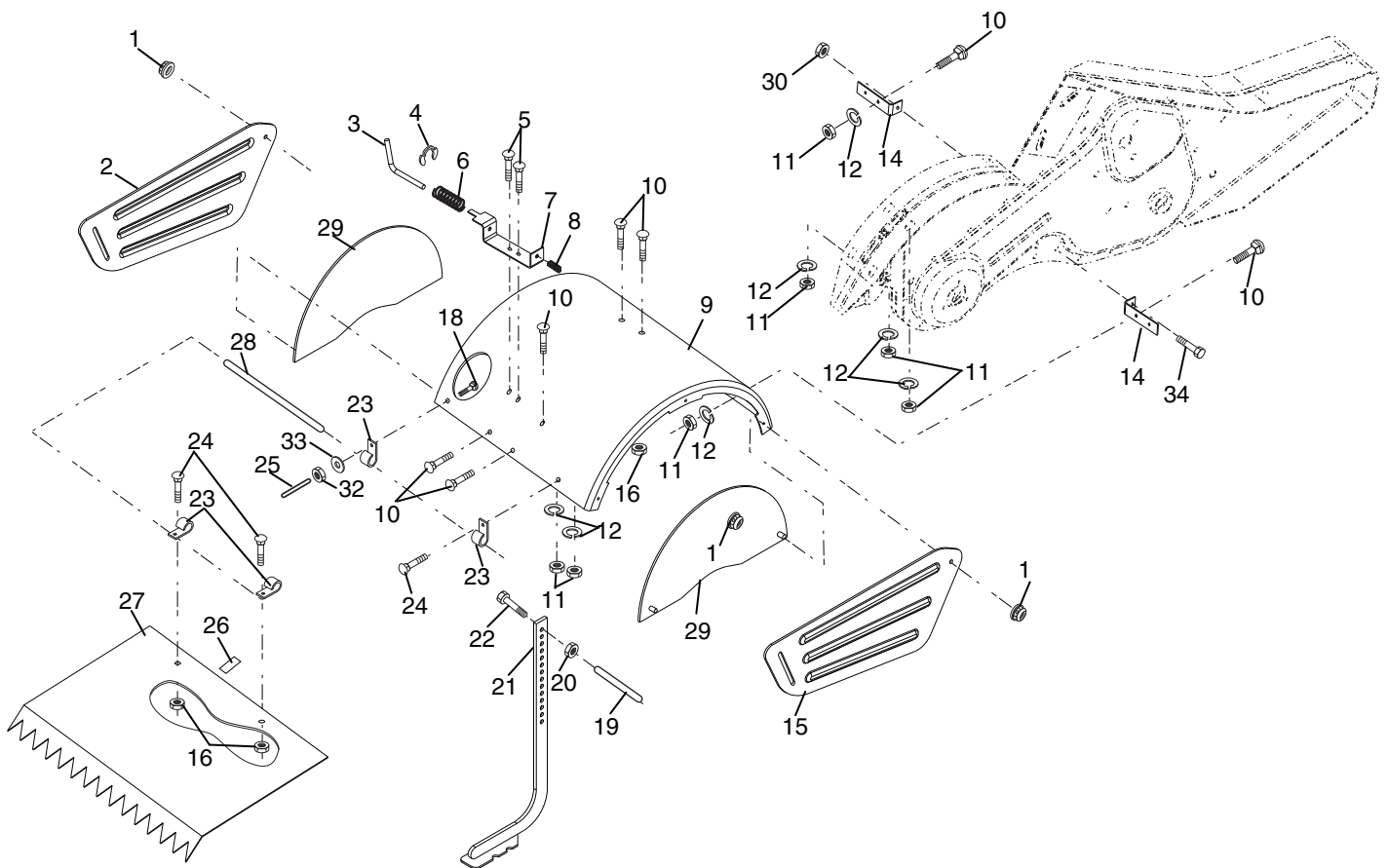
KEY NO.	PART NO.	DESCRIPTION
--	532 18 13-37	Transmission Assembly
1	532 18 13-32	Gearcase, R.H. w/Bearing (Includes Key No. 18)
2	532 18 13-62	Spacer Gearcase
3	532 17 50-35	Gear Reverse
4	532 10 53-45	Gear, Cluster, Red 1st & 2nd
5	532 10 04-13	Bearing, Needle
6	532 14 45-64	Sprocket and Tine Assembly
7	532 14 45-63	Sprocket Assembly w/Bearing (Includes Key No. 5)
8	532 00 43-58	Washer
9	532 00 83-58	Shaft, Reduction (1st)
10	532 00 83-71	Chain, Roller
11	532 10 03-71	Spring, Shift, Fork
12	532 12 46-97	Ball, Steel
13	532 00 83-53	Fork, Shift
14	532 17 53-72	Shaft, Reduction
15	812 00 00-39	Ring, Klip
16	532 15 44-67	Washer, Seal
17	532 00 13-70	Washer, Thrust 5/8 ID
18	532 12 47-92	Bearing, Needle
19	532 15 06-95	Shaft Input
21	532 10 53-78	Tine Shaft Assembly
22	532 10 61-81	Spacer 1,008 x 1-3/4 x 0,645
23	532 17 50-31	Pinion, Input
24	532 00 50-20	Bearing, Needle
25	532 16 43-96	Gasket, Gearcase
26	532 10 63-89	Spacer 0,765 I.D. x 1,12 x 5/8

KEY NO.	PART NO.	DESCRIPTION
27	532 10 04-33	Gear Cluster
28	532 00 83-57	Gear, Reverse Idler
29	532 14 45-62	Gear, Assembly, Reverse Idler (Includes Key Nos. 28 and 30)
30	532 00 68-03	Bearing, Needle
31	812 00 00-40	Ring, Klip
32	532 00 83-56	Shaft, Reverse Idler
33	532 10 00-16	Shaft, Reduction (2nd)
34	532 10 63-92	Spacer 0,765 I.D. x 1-1/8 x 1-3/8
35	532 10 63-94	Spacer LH
36	532 10 04-36	Shaft Assembly
37	532 14 21-45	Bracket, Asm.
38	532 10 63-93	Spacer RH
41	532 15 52-36	Seal, Asm Oil
42	810 04 07-00	Push Nut 7/16
43	873 61 07-00	Nut, Hex 7/16-20
44	532 18 13-23	Gearcase, L.H. w/Bearing (Includes Key No. 24)
45	817 72 05-10	Thread Cutting Screw 5/16-18 x 5/8
47	873 22 05-00	Nut, Hex 5/16-18
48	532 10 01-07	Screw 5/16-18 x 4
49	532 10 63-91	Spacer 0.765 ID x 1.12 x 3/4
60	532 12 48-36	Fitting, Grease
--	532 00 60-66	Grease #1
--	532 16 21-70	Bearing Assembly

**NOTE:** All component dimensions given in U.S. inches.  
1 inch = 25.4 mm

# REPAIR PARTS

## TILLER - - MODEL NUMBER CRT81 (96091000302), PRODUCT NO. 960 91 00-03 TINE SHIELD



tine\_shield\_99\_21\_in

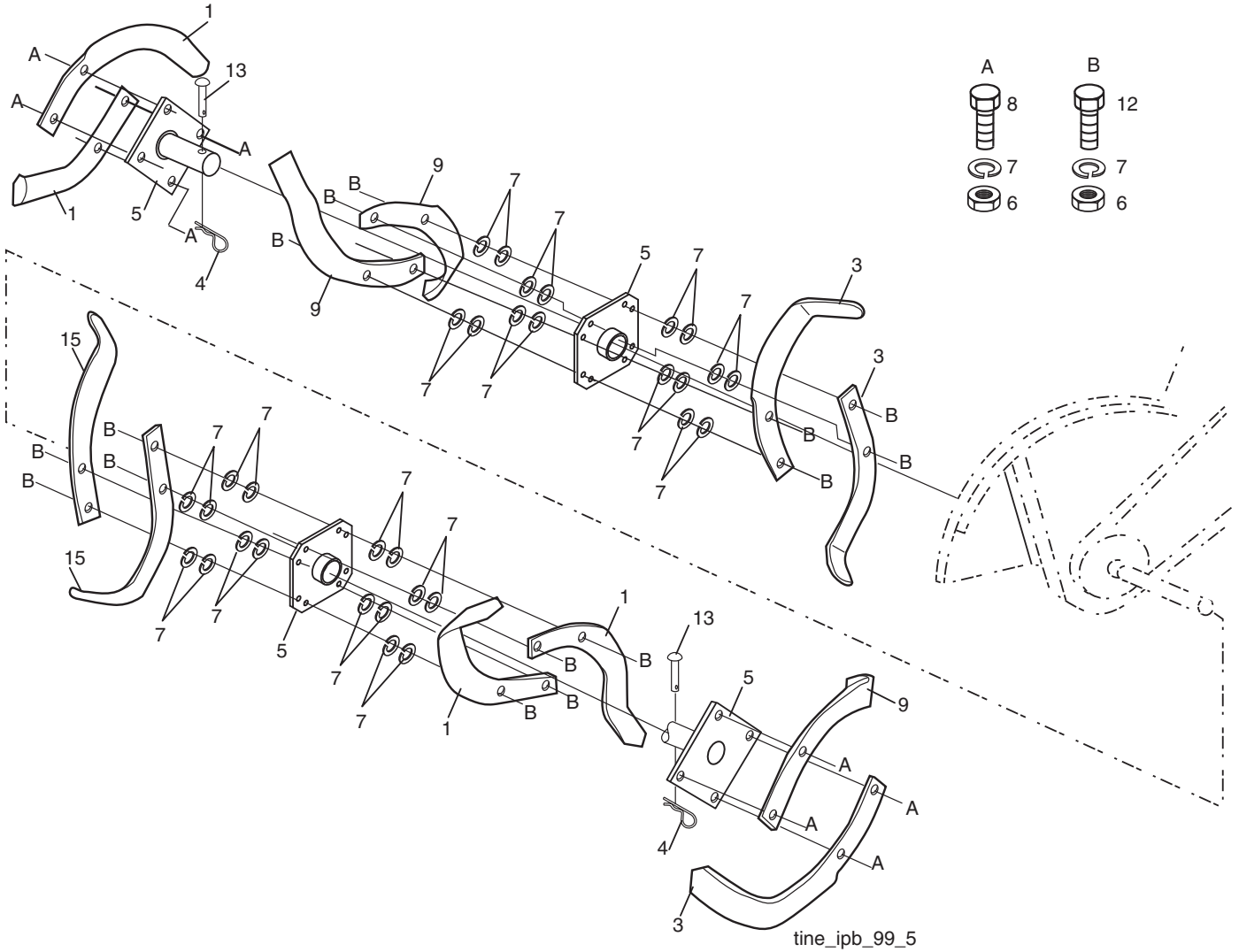
KEY NO.	PART NO.	DESCRIPTION
1	873 90 05-00	Nut, Lock Hex Flange 5/16-18
2	532 16 35-60	Shield, Side, Outer L. H.
3	532 00 83-93	Pin, Stake, Depth
4	812 00 00-35	Ring, Klip
5	532 18 08-47	Bolt Rdhd Sqnk 5/16-18 x 3/4 ZNC
6	532 00 83-94	Spring
7	532 00 83-92	Bracket, Latch
8	532 10 92-30	Spring, Depth Stake
9	532 17 16-16	Shield, Tine
10	872 14 05-08	Bolt 5/16-18 x 1
11	873 22 05-00	Nut, Hex 5/16-18
12	810 04 05-00	Washer, Lock 5/16
14	532 12 43-43	Bracket, Shield Tine
15	532 16 35-61	Shield, Side, Outer R.H.
16	873 90 04-00	Nut, Flange Hex 1/4-20 unc
18	872 04 04-10	Bolt, Carriage 1/4-20 x 1-1/4 r. 5
19	532 10 27-01	Grip

KEY NO.	PART NO.	DESCRIPTION
20	873 22 06-00	Nut, Hex 3/8-16
21	532 13 84-20	Stake, Depth
22	874 93 06-32	Bolt, Hex 3/8-16 x 2
23	532 00 44-40	Hinge
24	872 14 04-04	Bolt, Carriage 1/4-20 x 1/2 Gr. 5
25	532 12 47-17	Cap, Vinyl
26	532 10 92-27	Pad, Idler
27	532 14 55-20	Shield, Leveling
28	532 13 86-09	Pin, Hinge
29	532 14 55-21	Shield, Side
30	873 97 05-00	Nut, Lock Hx Flange
32	873 22 04-00	Nut, Fin, Hex 1/4-20 unc
33	810 04 04-00	Washer, Lock Hvy Helical 1/4
34	874 49 05-36	Bolt Hex Flghd 5/16-18 x 2-1/4

**NOTE:** All component dimensions given in U.S. inches.  
1 inch = 25.4 mm

# REPAIR PARTS

## TILLER - - MODEL NUMBER CRT81 (96091000302), PRODUCT NO. 960 91 00-03 TINE ASSEMBLY



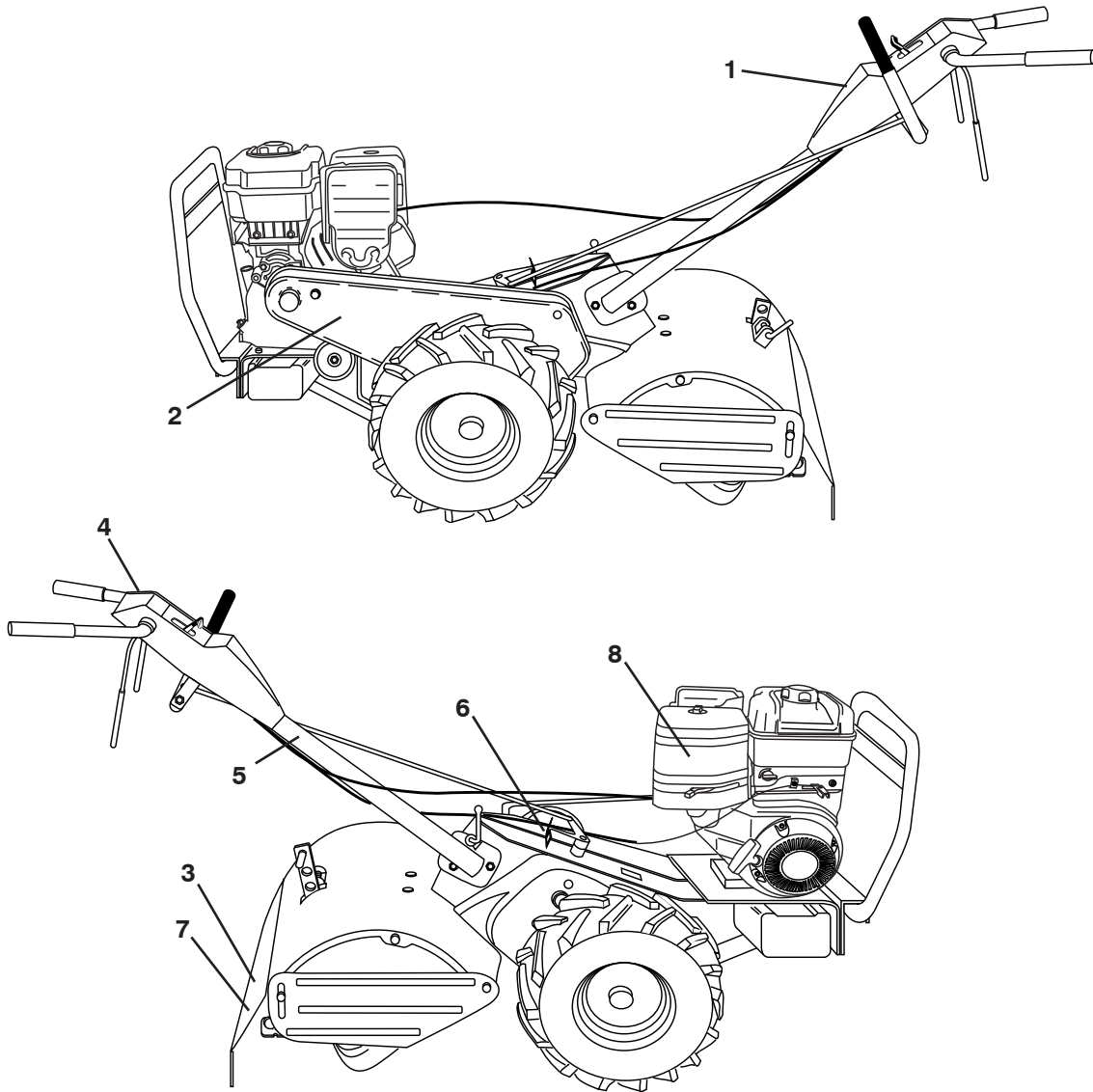
KEY NO.	PART NO.	DESCRIPTION
1	532 00 65-56	Tine, Outer, L.H.
3	532 10 11-94	Tine, Inner, L.H.
4	532 12 46-60	Retainer, Spring Zinc
5	532 18 93-59	Assembly, Hub and Plate
6	873 61 06-00	Nut, Hex 3/8-24
7	810 04 06-00	Washer, Lock 3/8
8	874 61 06-16	Bolt, Hex 3/8-24 x 1

KEY NO.	PART NO.	DESCRIPTION
9	532 00 65-57	Tine, Outer, R.H.
12	874 61 06-24	Bolt H 3/8-24 x 1-1/2
13	532 00 49-29	Clevis Pin
15	532 10 11-93	Tine R.H.

**NOTE:** All component dimensions given in U.S. inches.  
1 inch = 25.4 mm

# REPAIR PARTS

TILLER - - MODEL NUMBER CRT81 (96091000302), PRODUCT NO. 960 91 00-03  
DECALS



KEY NO.	PART NO.	DESCRIPTION
1	532 18 90-18	Decal, Logo
2	532 18 91-13	Decal, Logo
3	532 14 54-37	Decal, Europe Stand CE
4	532 18 08-29	Decal, Instruction, Tilling
5	532 15 98-77	Decal, Hand Placement
6	532 13 85-46	Decal, Shift Indicator
7	532 17 65-57	Decal, Warning, 4-Sym
8	532 17 66-84	Decal, Air Cleaner
--	532 19 42-56	Manual, Operator's (Euro.)
--	532 19 42-57	Manual, Operator's (Scan.)